

Flexibility and functionality perfectly united

Hawa Porta 60/100 HMT

All-rounder
with even
more
advantages



Hawa Porta 60/100 HMT for wooden sliding doors

Unlimited range of applications



The Hawa Porta 60/100 HMT offers a practical, economical and easy-to-assemble solution for every building and space situation. With minimal installation dimensions, it can be quickly and easily installed in pockets, on the ceiling, and now even integrated into the ceiling or installed with the new assembly set. In the Hawa Porta 100 version for up to 100 kg door weight, you can enjoy even more convenience thanks to an innovative new Push-to-open operation with a soft closing mechanism, as well as the freedom to do without handles on the door edge for pocket solutions. The technology, which is invisibly integrated in the running track, guarantees that you will always also do well aesthetically with this sliding fitting.

When technology brings quality of life: convenient Push-to-open solution with self closing mechanism.

New

Sheer user-friendliness:

Push to open with self closing mechanism

With the Hawa Porta 100 HMT, the Push-to-open operation with a soft closing mechanism significantly increases the convenience of opening and closing. And it allows for elegant constructions without front handles with the simplest assembly.

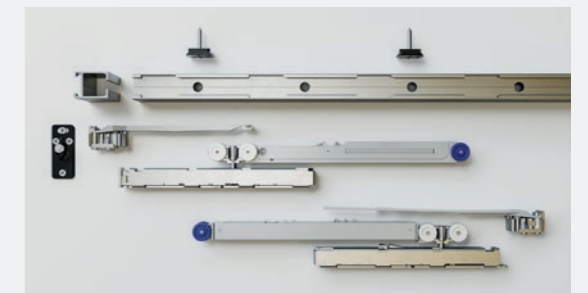


New

Guarantee of quiet running:

Assembly set for the wall pocket solution

Track, fittings and tool-free door assembly in the pocket: All of this can even be done after construction is completed – without soiling the technology during the construction phase and with guaranteed smooth operation. It doesn't get any faster, easier or cleaner.



New

Even more design options: with ceiling integration

The applications of the Hawa Porta have become even more diverse. Thanks to the harmonious, flush ceiling integration with invisible technology for a simple, delicate design.

**Set for ceiling mounting,
for 1 wooden door up to 100 kg (220 lbs.)**

Hawa Porta 100 HMT, Pocket minimal installation height, for 1 door	No.
	057.3133.073

Set consisting of:

	Running gear, ball bearing, rollers plastic white	2	057.3114.071
	Stopper, with retention spring, plastic, gray	2	057.3073.072
	Hexagon head screw, M8x36 mm, steel, zinc-plated	1	042.0165.101
	Head cap screw, M8x35 mm, steel, zinc-plated	1	042.0175.001
	Cover cap, plastic, grey	1	600.0000.533
	Running gear holder, plastic, anthracite	1	042.0167.001
	Running gear holder, plastic, anthracite	1	042.0174.001
	Housing, steel, zinc-plated	1	042.0166.101
	Housing, steel, zinc-plated	1	042.0166.102
	Countersunk head screw, 4x40 mm, steel, zinc-plated	8	766.5040.140
	Bottom guide, with roller, adjustable, plastic, anthracite	1	057.3120.071
	Countersunk head screw, 4x20 mm, steel, zinc-plated	4	766.5042.120

**Set for ceiling mounting,
for 1 wooden door up to 100 kg (220 lbs.)**

Hawa Porta 100 HMT Pocket, with Push-to-open, with running track, 2000 mm (6'6 3/4"), aluminum, anodized, for 1 door	No.
	057.3181.072

Set consisting of:

	Running gear, ball bearing, rollers plastic white	2	057.3114.071
	Stopper, without retention spring, plastic, gray	2	057.3073.071
	Soft close, top running, 61-100 kg (133-220 lbs.), plastic	1	042.3106.071
	Trigger for soft close in buildings, zinc die casting	1	042.3105.001
	Push-to-open Hawa Porta 100, 40-100 kg, with self-closing	1	057.3177.071
	Release piece for Push-to-open, zinc die casting	1	057.3176.001
	Screw set soft close	2	600.0000.566
	Hexagon head screw, M8x36 mm, steel, zinc-plated	1	042.0165.101
	Head cap screw, M8x35 mm, steel, zinc-plated	1	042.0175.001
	Cover cap, plastic, grey	1	600.0000.533
	Running gear holder, plastic, anthracite	1	042.0167.001
	Running gear holder, plastic, anthracite	1	042.0174.001
	Housing, steel, zinc-plated	1	042.0166.101
	Housing, steel, zinc-plated	1	042.0166.102
	Countersunk head screw, 4x40 mm, steel, zinc-plated	8	766.5040.140

Continued table on next page

Subject to technical modifications. Metric specifications are exact. Inches are approximate.

Table continued from previous page

	Bottom guide, with roller, adjustable, plastic, anthracite	1	057.3120.071
	Countersunk head screw, 4x20 mm, steel, zinc-plated	4	766.5042.120
	Running track, aluminum, anodized, pre-drilled	2000 (6'6 3/4")	1 057.3174.200
	Assembly pin, plastic, gray	9	057.0201.001
	Countersunk head screw, 5x40 mm, steel, zinc-plated	10	766.3054.140

Running tracks

Abstände überprüfen

		mm (inch)	No.		
	Running track, aluminum, pre-drilled	1,700 (5' 6 15/16")	057.3016.170		
		2,000 (6' 6 3/4")	057.3016.200		
		2,500 (8' 2 7/16")	057.3016.250		
		6,000 (19' 8 7/32")	057.3016.600		
		cut to size	057.3016.990		
			Running track, aluminum, anodized, pre-drilled	2,000 (6' 6 3/4")	057.3016.201
2,500 (8' 2 7/16")	057.3016.251				
6,000 (19' 8 7/32")	057.3016.601				
cut to size	057.3016.991				
	Running track, with assembly opening, aluminum, anodized, pre-drilled			2,500 (8' 2 7/16")	057.3016.256
				cut to size	057.3016.998
	Running track, ceiling integration, aluminum, anodized, pre-drilled	2,500 (8' 2 7/16")	27668		
		3,500 (11' 5 25/32")	27667		
		6,000 (19' 8 7/32")	30326		
		cut to size	27669		
	Disposable cover to running track Hawa Porta 45/60/100, plastic, black	2,000 (6' 6 3/4")	057.3098.001		
		cut to size	057.3098.990		

Subject to technical modifications. Metric specifications are exact. Inches are approximate.

Assembly set

Assembly set Hawa Porta 60/100, 2000 mm (6'6 3/4")	No.
	057.3179.200
Assembly set Hawa Porta 60/100, 2500 mm (8'2 7/16")	No.
	057.3179.250

Set consisting of:

	Running track, aluminum, anodized, pre-drilled	2000 (6'6 3/4")	1	057.3174.200
	Assembly pin, plastic, gray	9	11	057.0201.001
	Countersunk head screw, 5x40 mm, steel, zinc-plated	10	12	766.3054.140
	Running track, aluminum, anodized, pre-drilled	2500 (8'2 7/16")	1	057.3174.250

Soft close

For soft closing in opening and closing direction order 2 sets.

Soft close Hawa Porta 100, 61-100 kg (133-220 lbs.), 1 piece	No.
	042.3102.071
Soft close Hawa Porta 60, 10-60 kg (22-132 lbs.), 1 piece	No.
	042.3102.072

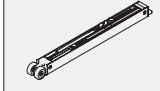
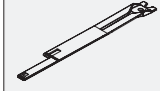

	Soft close, top running, 61-100 kg (133-220 lbs.), plastic	1	042.3106.071
	Trigger for soft close in buildings, zinc die casting	1	1 042.3105.001
	Screw set soft close	1	1 600.0000.566
	Soft close, top running, 10-60 kg (22-132 lbs.), plastic	1	042.3106.072

Subject to technical modifications. Metric specifications are exact. Inches are approximate.

Push-to-open with self closing mechanism (must only be used with Hawa Porta 100)

	No.
Push-to-open Hawa Porta 100, 61–100 kg (134–220 lbs.), 1 piece	057.3178.071

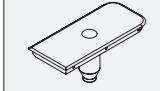

Set consisting of:

		057.3178.071	No.
	Push-to-open Hawa Porta 100, 40–100 kg, with self-closing	1	057.3177.071
	Release piece for Push-to-open, zinc die casting	1	057.3176.001
	Screw set soft close	1	600.0000.566

Cover for assembly opening

	No.
Cover cap to assembly opening, 1-piece set	042.3114.071

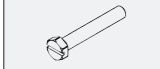
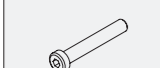
Set consisting of:

		042.3114.071	No.
	Cover cap assembly opening, plastic, gray	1	042.0172.001
	Screw set soft close	1	600.0000.566

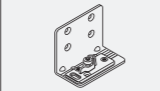
Screw set

	No.
Screw set for ceiling integration, +15 mm (+19/32")	057.3180.071

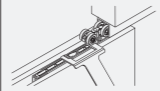
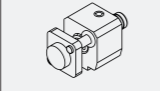
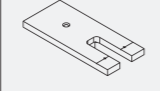
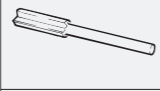

Set consisting of:

		057.3180.071	No.
	Hexagon screw, M8x51 mm, steel, zinc-plated	2	042.0165.103
	Head cap screw, M8x50 mm, steel, zinc-plated	1	042.0175.002

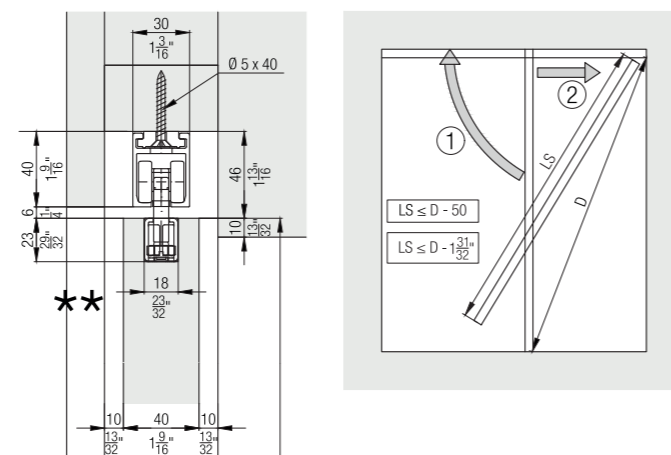
Bottom guide set for wall mounting

	No.
 Set bottom guide for wall mounting, with roller	057.3128.171

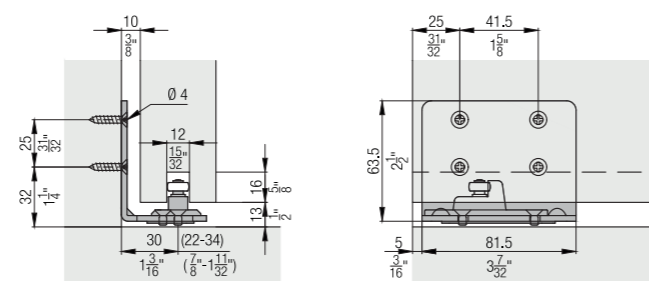
Accessories

	No.
 Key for dismounting, steel, zinc-plated	042.3119.101
 Spring loaded buffer Hawa Porta 60/100	27760
 Routing jig for assembly opening	042.3118.071
 Groove cutter to routing jig, Ø= 10 mm (13/32"), hard metal	600.0000.309
 Track cleaner, plastic	057.3099.071

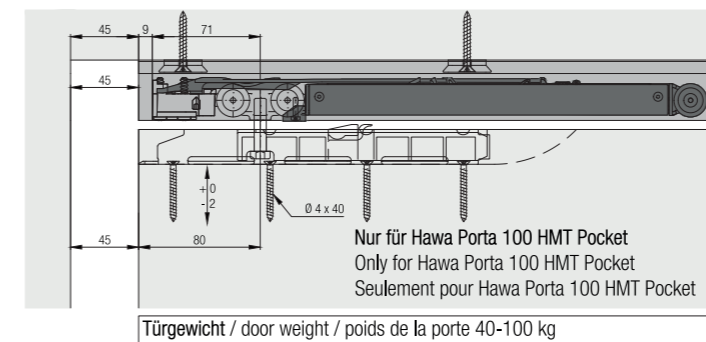
Assembly set/track installation Pocket



Wall mounting bottom guide

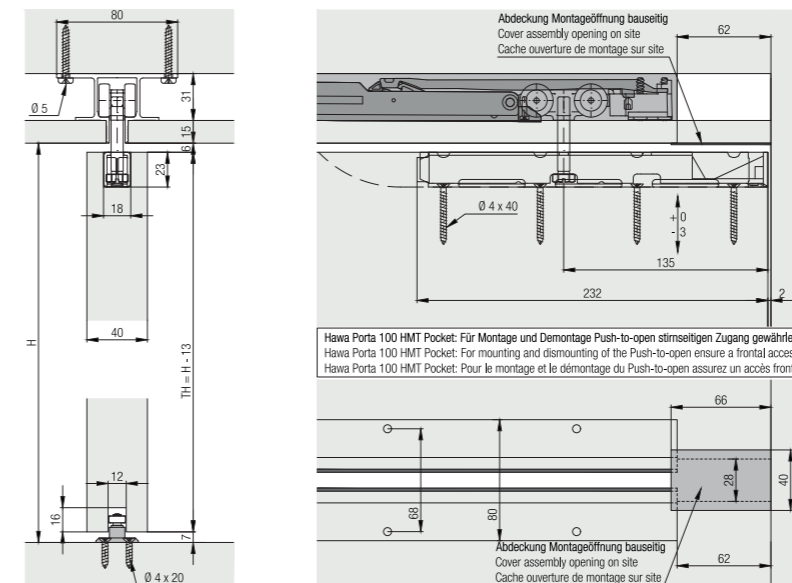


Push-to-open with self closing mechanism

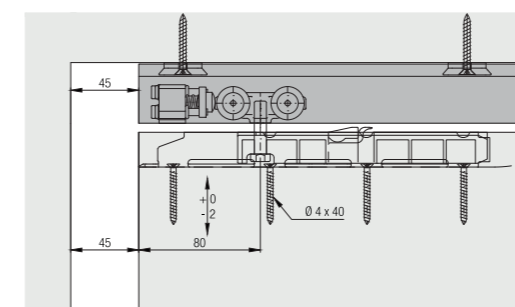


Ceiling integration

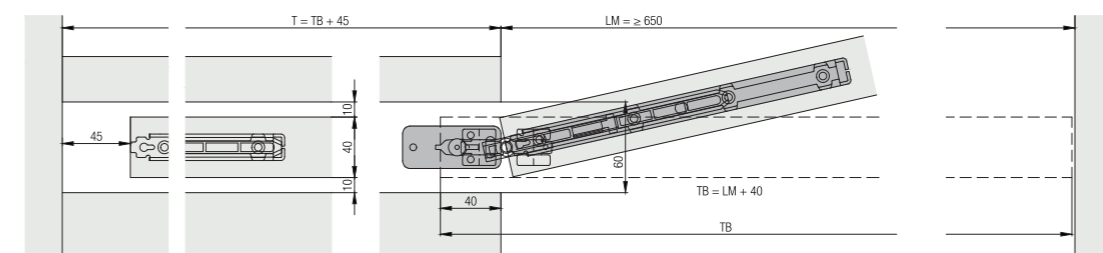
Recommendation: For systems integrated into the ceiling, provide assembly openings or front access to the system.



Spring stop



Calculation



Soft close

	Z =					
	1			2		
	0	1	2	0	1	2
Hawa Porta 60/100 H/H/C	1' 6 ²⁹ / ₃₂ "	1' 9 ¹ / ₁₆ "	1' 11 ¹ / ₄ "	2' 4 ³ / ₄ "	2' 6 ²⁹ / ₃₂ "	2' 9 ³ / ₃₂ "
Hawa Porta 60/100 HM/HMD/HMT	1' 6 ²⁹ / ₃₂ "	1' 9 ¹ / ₁₆ "	1' 11 ¹ / ₄ "	2' 4 ³ / ₄ "	2' 6 ²⁹ / ₃₂ "	2' 9 ³ / ₃₂ "
Hawa Porta 100 G/GU/GM	1' 6 ²⁹ / ₃₂ "	1' 9 ¹ / ₁₆ "	1' 11 ¹ / ₄ "	2' 4 ³ / ₄ "	2' 6 ²⁹ / ₃₂ "	2' 9 ³ / ₃₂ "
Hawa Porta 100 GW/GWF	1' 8 ⁵ / ₃₂ "	1' 9 ¹ / ₁₆ "	1' 11 ¹ / ₄ "	2' 6"	2' 6 ²⁹ / ₃₂ "	2' 7 ³ / ₁₆ "
Hawa Porta 100 GMD	1' 7 ⁷ / ₃₂ "	1' 9 ¹ / ₁₆ "	1' 11 ¹ / ₄ "	2' 5 ¹ / ₁₆ "	2' 7 ¹ / ₁₆ "	2' 7 ³ / ₁₆ "
Hawa Divido 100 H/HM/GR	1' 6 ²⁹ / ₃₂ "	1' 9 ¹ / ₁₆ "	1' 11 ¹ / ₄ "	2' 4 ³ / ₄ "	2' 6 ²⁹ / ₃₂ "	2' 9 ³ / ₃₂ "
Hawa Divido 100 GRM	1' 8 ⁵ / ₃₂ "	1' 10 ¹¹ / ₃₂ "	1' 10 ¹ / ₂ "	2' 6"	2' 8 ⁵ / ₃₂ "	2' 10 ¹¹ / ₃₂ "

	Z =					
	1			2		
	0	1	2	0	1	2
Hawa Porta 60/100 H/H/C	480	535	590	730	785	840
Hawa Porta 60/100 HM/HMD/HMT	480	535	590	730	785	840
Hawa Porta 100 G/GU/GM	480	535	590	730	785	840
Hawa Porta 100 GW/GWF	512	542	590	762	792	840
Hawa Porta 100 GMD	488	539	590	738	789	840
Hawa Divido 100 H/HM/GR	480	535	590	730	785	840
Hawa Divido 100 GRM	512	567	622	762	817	872

Push-to-open soft closing mechanism

Nur für Hawa Porta 100 Pocket
Only for Hawa Porta 100 Pocket
Seulement pour Hawa Porta 100 Pocket

Türgewicht / door weight / poids de la porte 40-100 kg / 88-220 lbs.

	Y =		Hawa Porta 100 Pocket	495	800
	0	1			
Hawa Porta 100 Pocket	1' 7 ¹ / ₂ "	2' 5 ¹¹ / ₃₂ "			

Empfehlung: Hawa Montageset verwenden
Recommendation: Use the Hawa Assembly set
Recommandation: Utilisez le kit de montage Hawa

Ohne Montageset: Für Montage und Demontage
Push-to-open stirnseitigen Zugang gewährleisten
Without assembly set: For mounting and dismounting
of the Push-to-open ensure a frontal access
Sans kit de montage: Pour le montage et le
démontage du Push-to-open assurez un accès frontal

Planning/execution

Further information about the product can be found on www.hawa.com.

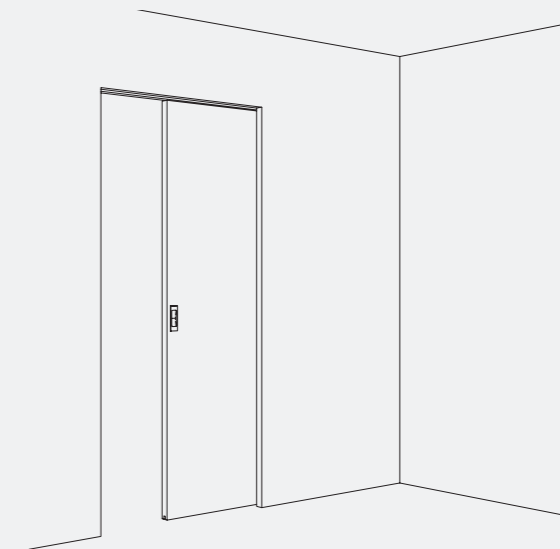
Fitting for top-running wooden doors up to 60 kg (132 lbs.), with surface mounted running track or running track flush with the ceiling. Optionally with soft and self closing mechanism. Ceiling mounting. Wall pocket solution.

Product highlights

- Flexibility** Ceiling-integrated or surface-mounted pocket solutions possible
- Productivity** Door can be installed in pocket after construction is complete

Technical specifications

- Max. 60 kg (132 lbs.)
- Max. 2700 mm (8'10 5/16")
- Max. 1600 mm (5'3")
- 30-80 mm (1 3/16" to 3 5/32")



Installation examples

ohne Montageöffnung
without assembly opening
sans ouverture de montage

TH = H - 44
TH = H - 1¹³/₃₂"

★★ Für das Ein- und Ausschwenken darf eine Blende bis max. Unterkante der Schiene reichen.
At least one of the panels must end at the lower edge the running track in order to be able to swivel the door inwards and outwards.
Pour que le pivotement puisse s'effectuer, un cache pourra au maximum atteindre le bord inférieur du rail.

**Set for ceiling mounting,
for 1 wooden door up to 60 kg (132 lbs.)**

Hawa Porta 60 HMT Pocket, minimal installation height, for 1 door	No.
	057.3133.074






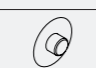
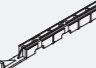



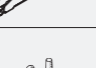

Set consisting of:

	Running gear, plain bearings, rollers plastic blue	2	057.3115.071
	Stopper, with retention spring, plastic, gray	2	057.3073.072
	Hexagon head screw, M8x36 mm, steel, zinc-plated	1	042.0165.101
	Head cap screw, M8x35 mm, steel, zinc-plated	1	042.0175.001
	Cover cap, plastic, grey	1	600.0000.533
	Running gear holder, plastic, anthracite	1	042.0167.001
	Running gear holder, plastic, anthracite	1	042.0174.001
	Housing, steel, zinc-plated	1	042.0166.101
	Housing, steel, zinc-plated	1	042.0166.102
	Countersunk head screw, 4x40 mm, steel, zinc-plated	8	766.5040.140
	Bottom guide, with roller, adjustable, plastic, anthracite	1	057.3120.071
	Countersunk head screw, 4x20 mm, steel, zinc-plated	4	766.5042.120

**Set for ceiling mounting,
for 1 wooden door up to 60 kg (132 lbs.)**





Hawa Porta 60 HMT Pocket, with running track, 2000 mm (6'6 3/4"), aluminum, anodized, for 1 door	No.
	057.3181.071

Set consisting of:


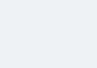

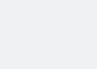
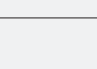
	Running gear, plain bearings, rollers plastic blue	2	057.3115.071
	Stopper, with retention spring, plastic, gray	1	057.3073.072
	Spring loaded buffer Hawa Porta 60/100	1	27760
	Hexagon head screw, M8x36 mm, steel, zinc-plated	1	042.0165.101
	Head cap screw, M8x35 mm, steel, zinc-plated	1	042.0175.001
	Cover cap, plastic, grey	1	600.0000.533
	Running gear holder, plastic, anthracite	1	042.0167.001
	Running gear holder, plastic, anthracite	1	042.0174.001
	Housing, steel, zinc-plated	1	042.0166.101
	Housing, steel, zinc-plated	1	042.0166.102
	Countersunk head screw, 4x40 mm, steel, zinc-plated	8	766.5040.140
	Bottom guide, with roller, adjustable, plastic, anthracite	1	057.3120.071

Continued table on next page

Table continued from previous page

	Countersunk head screw, 4x20 mm, steel, zinc-plated	4	766.5042.120
	Assembly pin, plastic, gray	9	057.0201.001
	Countersunk head screw, 5x40 mm, steel, zinc-plated	10	766.3054.140
	Running track, aluminum, anodized, pre-drilled	2000 (6'6 3/4")	1 057.3174.200





Running tracks

	Running track, aluminum, pre-drilled	mm (inch)	No.
		1,700 (5' 6 15/16")	057.3016.170
		2,000 (6' 6 3/4")	057.3016.200
		2,500 (8' 2 7/16")	057.3016.250
		6,000 (19' 8 7/32")	057.3016.600
		cut to size	057.3016.990
	Running track, aluminum, anodized, pre-drilled	2,000 (6' 6 3/4")	057.3016.201
		2,500 (8' 2 7/16")	057.3016.251
		6,000 (19' 8 7/32")	057.3016.601
		cut to size	057.3016.991
	Running track, with assembly opening, aluminum, anodized, pre-drilled	2,500 (8' 2 7/16")	057.3016.256
		cut to size	057.3016.998
	Running track, ceiling integration, aluminum, anodized, pre-drilled	2,500 (8' 2 7/16")	27668
		3,500 (11' 5 25/32")	27667
		6,000 (19' 8 7/32")	30326
		cut to size	27669
	Disposable cover to running track Hawa Porta 45/60/100, plastic, black	2,000 (6' 6 3/4")	057.3098.001
		cut to size	057.3098.990

Assembly set

Assembly set Hawa Porta 60/100, 2000 mm (6' 6 3/4")	No.
	057.3179.200
Assembly set Hawa Porta 60/100, 2500 mm (8' 2 7/16")	No.
	057.3179.250

Set consisting of:




	Running track, aluminum, anodized, pre-drilled	mm (inch)	057.3179.200	057.3179.250	No.
		2000 (6' 6 3/4")	1		057.3174.200
	Assembly pin, plastic, gray		9	11	057.0201.001
	Countersunk head screw, 5x40 mm, steel, zinc-plated		10	12	766.3054.140
	Running track, aluminum, anodized, pre-drilled	2500 (8' 2 7/16")		1	057.3174.250

Soft close

For soft closing in opening and closing direction order 2 sets.

Soft close Hawa Porta 60, 10–60 kg (22–132 lbs.), 1 piece	No.
	042.3102.072

Set consisting of:

	Soft close, top running, 10–60 kg (22–132 lbs.), plastic	042.3102.072	No.
		1	042.3106.072
	Trigger for soft close in buildings, zinc die casting		1 042.3105.001
	Screw set soft close		1 600.0000.566

Visit us online

On hawa.com/en/hawa-porta-hmt, you will find all the relevant details about this extremely diverse, efficient sliding solution by Hawa Sliding Solutions from May 2021 on. Get some inspiration.

We would be happy to advise you personally. Contact us at info@hawa.com or by phone under +41 44 787 17 17.